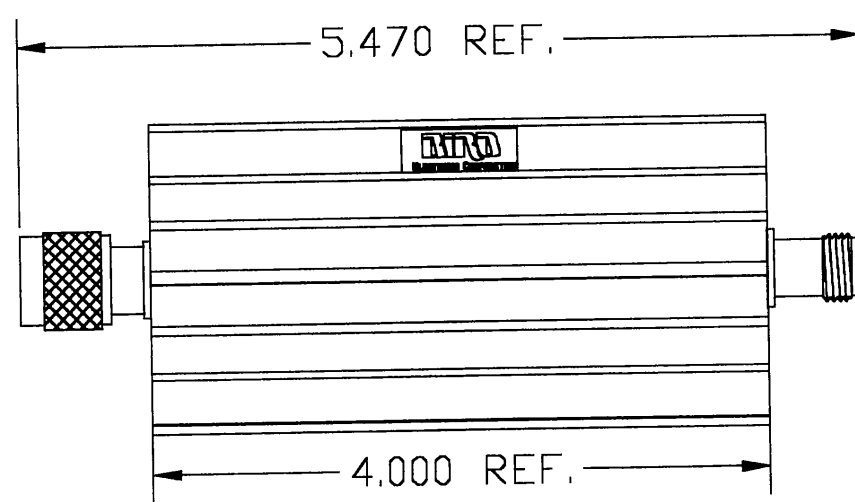
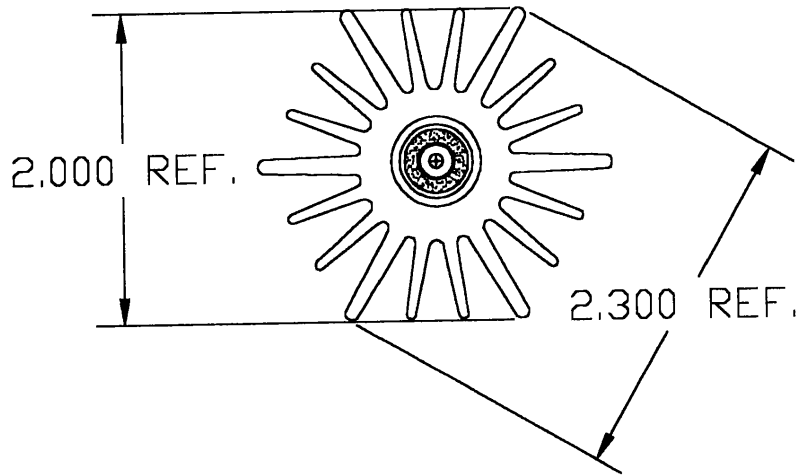


PART NUMBER
25-A-MFT-XX
 REV. A 12-19-97
 ECN # 0185



XX = dB VALUE

SPECIFICATIONS:

25 WATT BI-DIRECTIONAL COAXIAL ATTENUATOR

POWER RATING: 25 WATTS MAXIMUM @ 40°C.
 30 WATTS MAXIMUM @ 25°C.

CONNECTORS: TNC-TYPE, MALE-FEMALE

FREQUENCY RANGE & VSWR: DC TO 1GHz AT 1.10:1 MAX.
 1GHz TO 4GHz AT 1.25:1 MAX.

IMPEDANCE: 50 OHMS, NOMINAL
 AMBIENT TEMPERATURE RANGE: -40°C TO +40°C

OPERATING POSITION: ANY
 COOLANT: DRY (CONVECTION COOLED)

FINISH: BLACK ANODIZED COOLING FINs, SILVER OR TRI-ALLOY PLATED CONNECTORS

NOMINAL SIZE: 5.47" L X 2.3" DIA. (WITH TNC-TYPE MALE, FEMALE CONNECTORS)

WEIGHT: APPROX. 9 OZ.

XX	dB ATTEN.	ACCURACY ±dB	
		DC - 1GHz	1 - 4GHz
-01	1	0.3	0.5
-02	2	0.3	0.5
-03	3	0.3	0.5
-06	6	0.4	0.6
-10	10	0.4	0.8
-20	20	0.5	1.0
-30	30	0.8	1.3

UNLESS OTHERWISE SPECIFIED TOLERANCES ARE
 XX = +/-.015
 .XXX = +/-.005

SCALE
 DIM. ARE IN INCHES

APPROVED BY *JMD*

DATE **2-23-98**

BIRD COMPONENT PRODUCTS INC.			
DESCRIPTION FINAL ASSEMBLY, 25 WATT ATTENUATOR (TNC-TYPE MALE, FEMALE)			
DWG. BY PMD	DATE 12-19-97	PART NUMBER 25-A-MFT-XX	REV. A